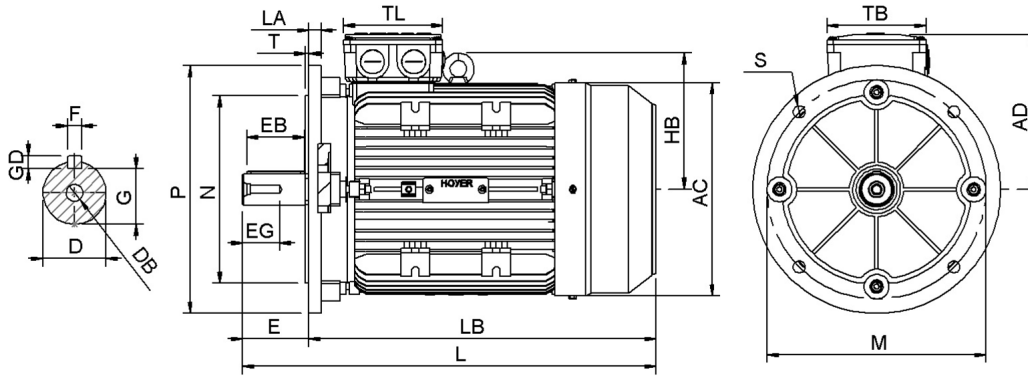


Data Sheet

Itemnumber....: 5520900209



AC = 175	DB = M8	EG = 24	GD = 7	LB = 278	P = 200	TB = 100
AD = 132	E = 50	F = 8	L = 328	M = 165	S = 4-Ø12	TL = 100
D = 24	EB = 40	G = 20	LA = 10	N = 130	T = 3,50	

Version

Type.....: HMA3 90S-2
 Design.....: Induction motor
 Standard series.....: IEC 60034
 Phase / Voltage range.....: 3~ / Low

Electrical design

Efficiency.....: IE3
 Pole.....: 2
 Power at 50 Hz (kW).....: 1,50
 Hz.....: 50
 Voltage.....: 230VD/400VY
 Winding voltage.....: 230VD/400VY 50 Hz
 Power output (kW).....: 1,50
 Duty.....: S1
 Insulation class.....: F
 Temperature rise.....: B

Motor protection

Thermal protection main....: PTC 3x 155 dgr
 Thermal protection second..: None
 Space heater.....: None
 Temperature detector.....: No
 SPM.....: No
 IR wire.....: No
 Tropical insulation.....: No

Explosion protection

According to.....: None
 Type of protection.....: None

General

Direction of rotation.....: CW
 Painting.....: RAL 9005
 Nameplate.....: Multivoltage
 Special packing.....: No
 Special requirements.....: No

Mechanical design

Frame size.....: 90
 Mounting.....: B5
 Rain cap.....: No
 Protection class.....: IP55
 Cooling method.....: IC411/TEFC
 External grounding.....: Yes
 Drain hole.....: Yes
 Frame material.....: Aluminium
 Material approval.....: None
 Shaft.....: IEC standard
 Key.....: Closed key
 Balancing.....: Half key balancing
 Vibration class.....: Grade-A
 Weight (kg).....: 15,2

Environment condition

Ambient temp. min. (°C)..: -20
 Ambient temp. max. (°C)..: 40
 Altitude (mtr up to).....: 1000

Bearing

DE Bearing.....: 6205-ZZ/C3
 NDE Bearing.....: 6205-ZZ/C3
 Fixed bearing.....: DE

Terminal box

Tbox position.....: Top
 Cable entry direction.....: Right (from DE)
 Cable entry
 Main.....: 2 x M20x1,5
 Plastic blindcaps
 Accessory.....: NA
 Terminal board thread.....: 6-M4

Test values

Rotor inertia (kgm²).....: 0,0022
 Noise level (dB(A)).....: 62
 No load current (A).....: 1,64
 Winding resist. (ohm).....: 3,01
 Starting time (sec.).....: 0,06
 Temp. rise winding (K).....: 43
 Temp. rise surface (K).....: 21

Rated power (kW)	1,50	1,46	1,80	1,74
Frequency (Hz)	50	50	60	60
Voltage (V)	230 400	220 380	280 480	440
Connection	D Y	D Y	D Y	Y
Full load current (A)	5,45 3,10	5,60 3,20	5,45 3,10	3,20
Speed (rpm)	2920	2920	3500	3500
Power factor cos(phi)	0,82	0,83	0,82	0,84
Efficiency, 100/75/50 (%)	84,2/ 84,7 /83,2	84,2/ 84,7 /83,2	84,2/ 84,7 /83,2	83,1/ 83,6 /82,0
Ist/In	9,05	7,95	9,05	8,30
Full load torque (Nm)	4,90	4,75	4,90	4,75
Tst/Tn	2,80	2,60	2,80	2,44
Tmax/Tn	3,00	2,80	3,00	2,60
Duty	S1	S1	S1	S1
Ambient temp. (°C)	40	45	40	45