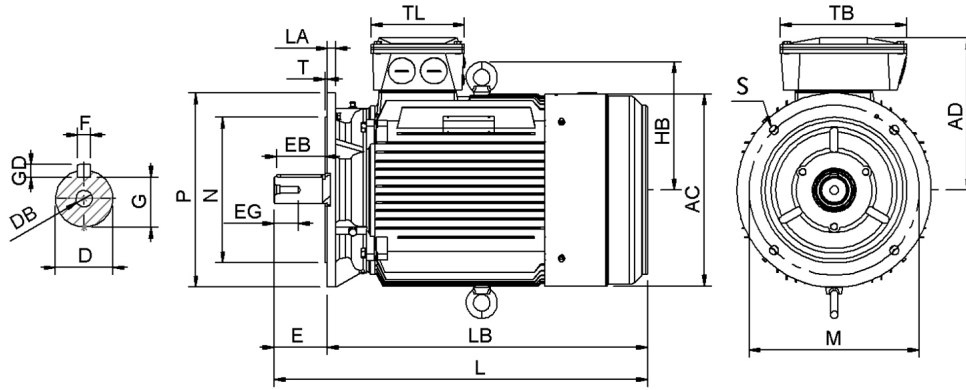


Data Sheet

Itemnumber....: 5521601200



AC = 313	DB = M16	EG = 36	GD = 8	LA = 14	N = 250	T = 5
AD = 276	E = 110	F = 12	HB = 221	LB = 500	P = 350	TB = 218
D = 42	EB = 100	G = 37	L = 610	M = 300	S = 4-Ø18,5	TL = 162

Version

Type.....: HMC3 160M2-2
 Design.....: Induction motor
 Standard series.....: IEC 60034
 Phase / Voltage range.....: 3~ / Low

Electrical design

Efficiency.....: IE3
 Pole.....: 2
 Power at 50 Hz (kW).....: 15,0
 Hz.....: 50
 Voltage.....: 400VD/690VY
 Winding voltage.....: 400VD/690VY 50 Hz
 Power output (kW).....: 15,0
 Duty.....: S1
 Insulation class.....: F
 Temperature rise.....: B

Motor protection

Thermal protection main....: PTC 3x 155 dgr
 Thermal protection second..: None
 Space heater.....: None
 Temperature detector.....: No
 SPM.....: No
 IR wire.....: No
 Tropical insulation.....: No

Explosion protection

According to.....: None
 Type of protection.....: None

General

Direction of rotation.....: CW
 Painting.....: RAL 9005
 Nameplate.....: Multivoltage
 Special packing.....: No
 Special requirements.....: No

Mechanical design

Frame size.....: 160
 Mounting.....: B5
 Rain cap.....: No
 Protection class.....: IP55
 Cooling method.....: IC411/TEFC
 External grounding.....: Yes
 Drain hole.....: Yes
 Frame material.....: Cast Iron
 Material approval.....: None
 Shaft.....: IEC standard
 Key.....: Closed key
 Balancing.....: Half key balancing
 Vibration class.....: Grade-A
 Weight (kg).....: 137

Environment condition

Ambient temp. min. (°C)..: -20
 Ambient temp. max. (°C)..: 40
 Altitude (mtr up to).....: 1000

Bearing

DE Bearing.....: 6309-ZZ/C3
 NDE Bearing.....: 6309-ZZ/C3
 Fixed bearing.....: DE

Terminal box

Tbox position.....: Top
 Cable entry direction.....: Right (from DE)
 Cable entry
 Main.....: 2 x M40x1,5
 Plastic blindcaps
 Accessory.....: 2 x M20x1,5
 Plastic blindcaps
 Terminal board thread.....: 6-M6

Test values

Rotor inertia (kgm²).....: 0,066
 Noise level (dB(A)).....: 79
 No load current (A).....: 7,60
 Winding resist. (ohm).....: 0,44
 Starting time (sec.).....: 0,14
 Temp. rise winding (K).....: 60
 Temp. rise surface (K).....: 43

Rated power (kW)	15,0	14,6	18,0	17,4
Frequency (Hz)	50	50	60	60
Voltage (V)	400 690	380 660	480 830	440
Connection	D Y	D Y	D Y	D
Full load current (A)	26,0 15,0	26,5 15,4	26,0 15,0	26,5
Speed (rpm)	2950	2950	3550	3550
Power factor cos(phi)	0,91	0,91	0,91	0,92
Efficiency, 100/75/50 (%)	91,9/ 91,9 /90,8	91,9/ 91,9 /90,8	91,9/ 91,9 /90,8	91,3/ 91,4 /90,2
Ist/In	9,95	8,75	9,95	9,15
Full load torque (Nm)	48,5	47,0	48,5	47,0
Tst/Tn	2,95	2,75	2,95	2,55
Tmax/Tn	3,90	3,65	3,90	3,40
Duty	S1	S1	S1	S1
Ambient temp. (°C)	40	45	40	45