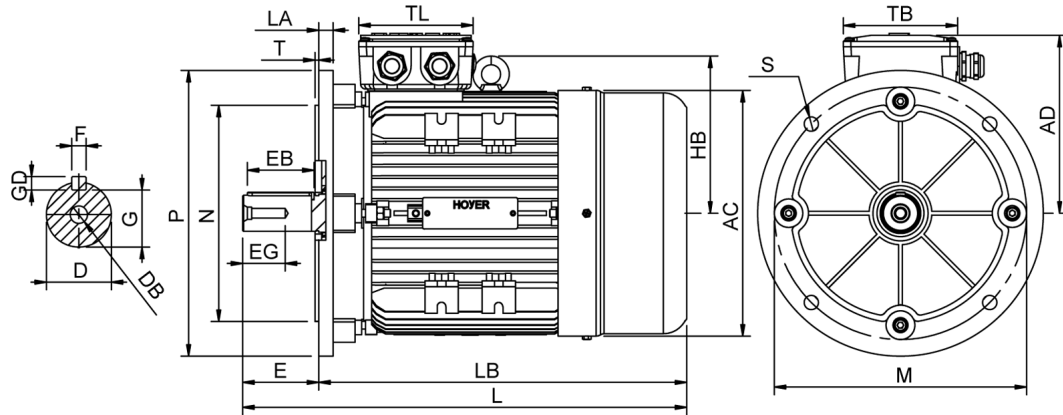


Data Sheet

Itemnumber....: 3220901209



AC = 175	DB = M8	EG = 24	GD = 7	LB = 312	P = 200	TB = 100
AD = 132	E = 50	F = 8	L = 362	M = 165	S = 4-Ø12	TL = 100
D = 24	EB = 40	G = 20	LA = 10	N = 130	T = 3,50	

<p>Version Type.....: HMA2 90L-2 Design.....: Induction motor Standard series.....: IEC 60034 Phase / Voltage range.....: 3~ / Low</p> <p>Electrical design Efficiency.....: IE2 Pole.....: 2 Power at 50 Hz (kW).....: 2,20 Hz.....: 60 (60 Hz output) Voltage.....: 440VY Winding voltage.....: 230VD/400VY 50 Hz Power output (kW).....: 2,55 Duty.....: S1 Insulation class.....: F Temperature rise.....: B</p> <p>Motor protection Thermal protection main.....: PTC 3x 155 dgr Thermal protection second..: None Space heater.....: None Temperature detector.....: No SPM.....: No IR wire.....: No Tropical insulation.....: Yes</p> <p>Explosion protection According to.....: None Type of protection.....: None</p> <p>General Direction of rotation.....: CW Painting.....: RAL 9005 Nameplate.....: Multivoltage + VFD Special packing.....: No Special requirements.....: No</p>	<p>Mechanical design Frame size.....: 90 Mounting.....: B5 Rain cap.....: No Protection class.....: IP55 Cooling method.....: IC411/TEFC External grounding.....: Yes Drain hole.....: Yes Frame material.....: Aluminium Material approval.....: None Shaft.....: IEC Standard Key.....: Closed key Balancing.....: Half key balancing Vibration class.....: Grade-A Weight (kg).....: 17,0</p> <p>Environment condition Ambient temp. min. (°C)..: -20 Ambient temp. max. (°C)..: 45 Altitude (mtr up to).....: 1000</p>	<p>Bearing DE Bearing.....: 6205-ZZ/C3 NDE Bearing.....: 6205-ZZ/C3 Fixed bearing.....: DE</p> <p>Terminal box Tbox position.....: Top Cable entry direction.....: Right (from DE) Cable entry Main.....: 1 x M20x1,5 Ø8-13mm metal 1 x M20x1,5 Accessory.....: Metal blindcap Terminal board thread.....: 6-M4</p> <p>Test values Rotor inertia (kgm²).....: 0,0026 Noise level (dB(A)).....: 66 No load current (A).....: 2,00 Winding resist. (ohm).....: 2,56 Starting time (sec.).....: 0,00 Temp. rise winding (K).....: 56 Temp. rise surface (K).....: 47</p>
--	---	---

Rated power (kW)	2,20	2,14	2,65	2,55
Frequency (Hz)	50	50	60	60
Voltage (V)	230 400	220 380	280 480	440
Connection	D Y	D Y	D Y	Y
Full load current (A)	7,70 4,45	7,95 4,55	7,70 4,45	4,55
Speed (rpm)	2870	2870	3450	3450
Power factor cos(phi)	0,86	0,87	0,86	0,86
Efficiency, 100/75/50 (%)	83,2/ 84,7 /84,5	83,2/ 84,7 /84,5	83,2/ 84,7 /84,5	82,0/ 83,6 /83,4
Ist/In	7,85	6,95	7,85	7,25
Full load torque (Nm)	7,30	7,10	7,30	7,10
Tst/Tn	3,20	2,95	3,20	2,75
Tmax/Tn	3,10	2,90	3,10	2,70
Duty	S1	S1	S1	S1
Ambient temp. (°C)	40	45	40	45