



## Oilburnerpump Series PON



**hp- TECHNIK**  
**Industriepumpen-Förderaggregate und Anlagenbau**

Gablونzer Straße 21  
D-76185 Karlsruhe Germany

Telefon 0721 / 9 56 18-0  
Telefax 0721 / 9 56 18-28

Internet: <http://www.hptechnik.com>  
email: [info@hptechnik.com](mailto:info@hptechnik.com)

Technical Selection Chart

Direction of rotation I = indirect – counterclockwise  
 D= direct – clockwise  
 Nozzle Port R = on the right-hand side  
 L= on the left-hand side



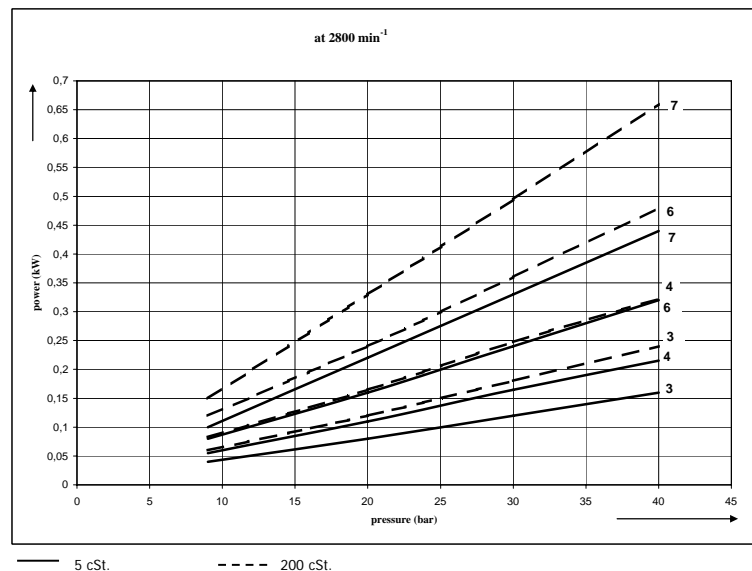
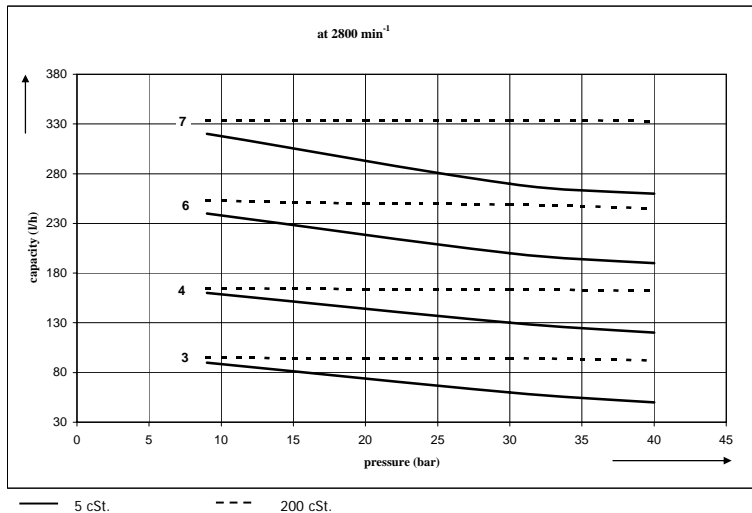
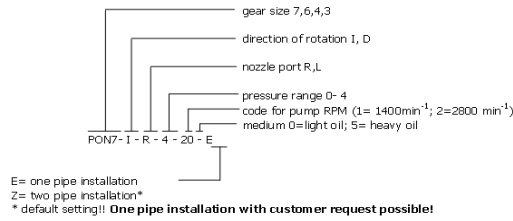
The direction of rotation can only be changed in the factory. Therefore please assure that you state the desired direction of rotation and the direction of the nozzle port as per the size chart/ sheet when ordering!  
 Standart design of the pump for two pipe installation, design for one pipe installation can be changed individually.  
 (see operation installation and maintenance instructions)

hp-internal gear pump up to 40 bar

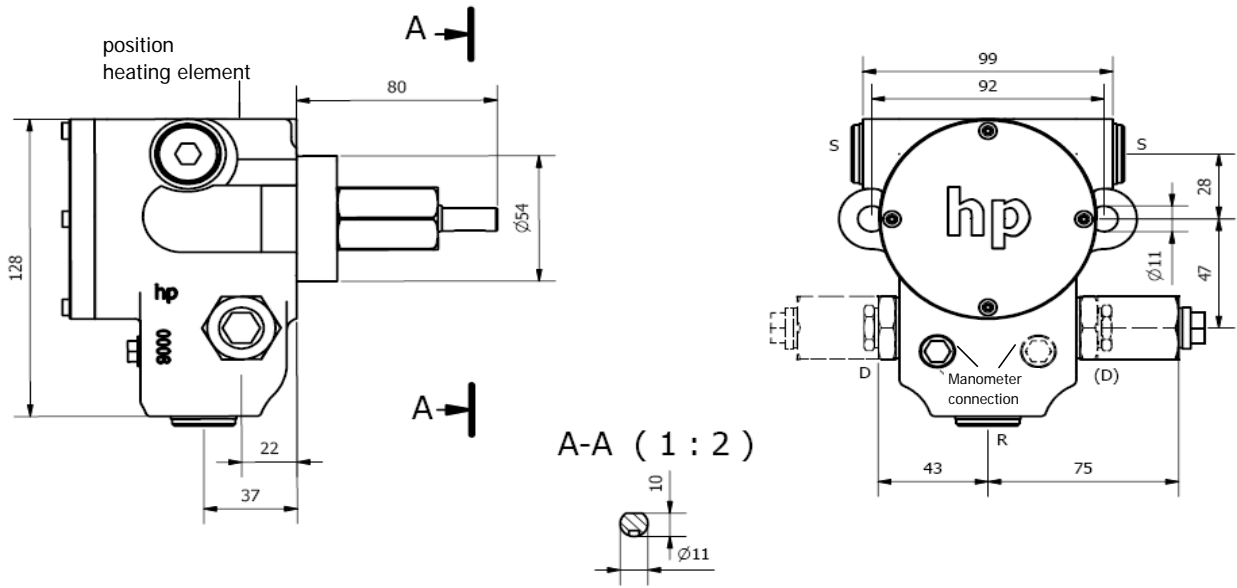
	capacity l/h at: n= 2800 min <sup>-1</sup> viscosity 5 cSt.			direction of rotation	nozzle port	order number				max. allowed pump RPM (min <sup>-1</sup> )	gear rotor size Ø	initial pump breakaway torque	Net weight kg
	9 bar	30 bar	40 bar			I-L	I-R	D-L	D-R				
PON 3	90	60	50	D- direct – clockwise	R	0130601	0130611	0140601	0140611	3600	25	1,2 Nm	5,0
PON 4	160	130	120			0130602	0130612	0140602	0140612				
PON 6	240	200	190	I = indirect– counter- clockwise	L	0130603	0130613	0140603	0140613	3600	25	1,2 Nm	
PON 7	320	270	260			0130604	0130614	0140604	0140614				

	capacity at 9 bar in l/h	connection				pressure range	RPM (min <sup>-1</sup> )	medium	accessories
		nozzle	suction side	bypass	manometer				
PON 3	90	1/4"	1/2"	1/2"	1/8"	1=1-4	1 = 1400 min <sup>-1</sup>	0= fuel oil EL+ L MGO/MDO	H3- heating element PON E- one pipe installation Z- two pipe installation
PON 4	160	1/4"	1/2"	1/2"	1/8"	2=2-9			
PON 6	240	1/4"	1/2"	1/2"	1/8"	3=6-25	2 = 2800 min <sup>-1</sup>	5= fuel oil M+S	
PON 7	320	1/4"	1/2"	1/2"	1/8"	4=15-40			

example for order numbers:



## Scaled Drawings for Series PON



Pipe Connections cyl. Withworth Pipe Threading DIN ISO 228

Typ Suntec		type hp-TECHNIK
J7/ E7	==>	PON- 7
J6/ E6	==>	PON- 6
J4/ E4	==>	PON- 4

### hp-electric standby and companion heaters series H3 (Anr.: 0190062) for hp- Oilburnerpumps series PON

All hp- Oilburnerpumps Series PON can be equipped with electric heating, Serie H3, at the factory.

