

● Characteristics

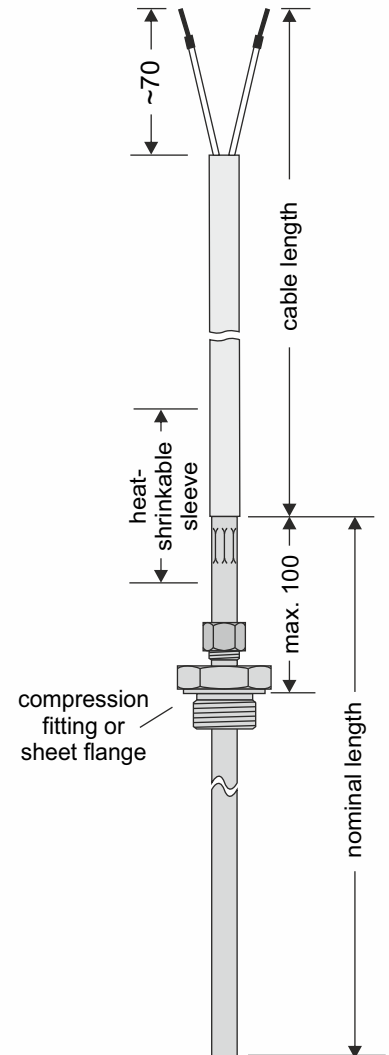
1 - TEMPERATURE - PROBE - RTD

Sensor:	Pt100 / Pt1000 / 2x Pt100 / 2x Pt1000 The operative temperature range is dependent on the selected connection cable.
Type:	2-wire / 3-wire / 4-wire
Accuracy:	class A / class B / B1/2 DIN / B1/3 DIN / B1/10DIN
Thermowell:	stainless steel 1.4571
Ø thermowell:	6 mm
Nominal length:	standard: 46 mm (Ø6) / 70 mm (Ø6) maximum length: 200 mm option: according to details
Connection cable:	PVC-PVC / PTFE-silicone / PTFE-PTFE / PTFE-braiding-PTFE / Fibreglass-Fibreglass-stainless steel braiding (2x 4-wire only with PTFE-silicone)
Connection:	open ends, end splice, 70 mm option: other length
Cable length:	standard: 2 m option: according to details (max. 6 m)
Antikink:	heat-shrinkable sleeve option: spring
Well to cable:	hexagonal crimp option: ring crimp
Protection class:	IP65 (up to 250 °C) not for stainless steel braiding
Insulating resistance:	test voltage: 500 VDC
Insulant:	without
Response time:	well 6x0,5 mm: t90: 30 s / t50: 9 s
Accessories:	compression fitting (see data sheet WT-TE-Z) sheet flange (see data sheet WT-TE-Z)



Type approval
TAA00002H5

all dimensions in mm



Cable coding translation:
ws: white
rt: red

Pin Assignment

	2-wire	3-wire	4-wire
Cable, n-pole (DIN 60751)	rt ws	rt rt ws	rt rt ws ws

Thermowell and wall:

Standard: 46 mm (Ø6 x 0,4) / 70 mm (Ø6 x 0,4)
Options: Ø6 x 0,5 / Ø6 x 1 mm

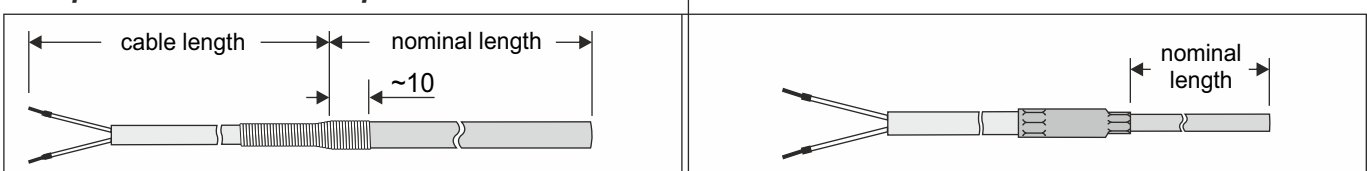
Connection cable (max. 6 m):

PVC-PVC: 2x0,5 mm² / PTFE-silicone: 2x0,22 mm² and 4x0,22 mm² / PTFE-PTFE: 2x0,12 mm² and 4x0,22 mm² / PTFE single wire: 1x0,22 mm² (rd, wh)
PTFE-braiding-PTFE: 2x0,22 mm² and 4x0,22 mm²
Fibreglass-Fibreglass-SS braiding: 4x0,22 mm²

Maximum operating temperature range:

Sensor RTD: -200...+450 °C
Thermowell: stainless steel 1.4571 (316Ti): up to 600°C
Connection cable: PVC: -5...70°C / silicone: -45...180°C / PTFE: -75...250°C / Fibreglass/SS-braiding: -60...550°C
Compression fitting: -75...+250 °C

● Option Antikink / Adapter Sleeve



● Order Code

Product code: KW

Sensor	<input type="checkbox"/>
4 1x PT100	
5 1x PT1000	
6 2x PT100	
7 2x PT1000	
Type	<input type="checkbox"/>
0 2-wire	
1 3-wire	
2 4-wire	
Accuracy	<input type="checkbox"/>
0 class A	
1 class B	
2 B1/2 DIN	
3 B1/3 DIN	
4 B1/10DIN	
Material thermowell	<input type="checkbox"/>
0 stainless steell 1.4571	
Ø thermowell	<input type="checkbox"/>
2 6 mm	
Nominal length	<input type="checkbox"/>
1 46 mm (Ø6)	<input type="text"/> mm
4 70 mm (Ø6)	
5 other length (maximum 200 mm)	
Connection cable	<input type="checkbox"/>
0 PVC/PVC	
1 PTFE/silicone	
2 PTFE/PTFE	
3 PTFE/braiding/PTFE	
4 F-glass/F-glass/ss braiding	
Connection	<input type="checkbox"/>
0 open ends (standard 70 mm)	<input type="text"/> mm
1 open ends (other length)	
Cable length	<input type="checkbox"/>
0 2 m	<input type="text"/> mm
1 other length (max. 6 m)	
Cable protection	<input type="checkbox"/>
0 shrinkable sleeve	
1 antikink spring	
Used temperature range	<input type="text"/>
please specify	- <input type="text"/> °C