

# Technical Data Flame Sensor FFS08 / FFS08 L

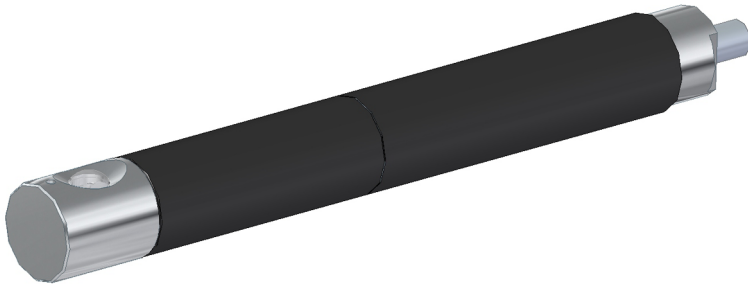


Fig. 1 Figure flame sensor FFS08 L

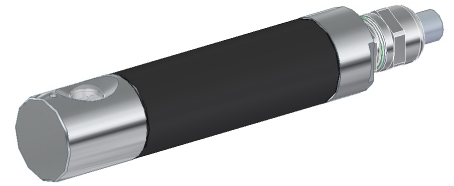


Fig. 2 Figure flame sensor FFS08

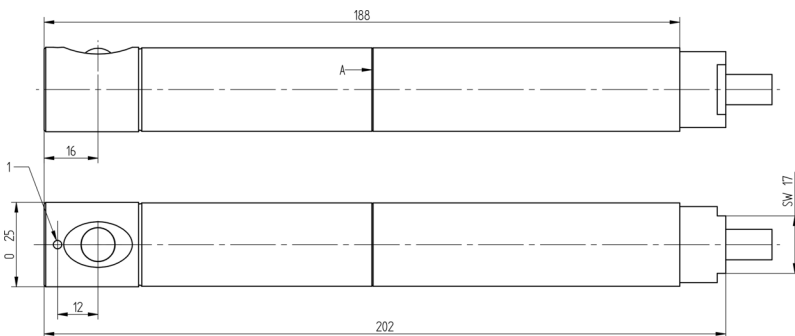


Fig. 3 Dimensional drawing flame sensor FFS08 L

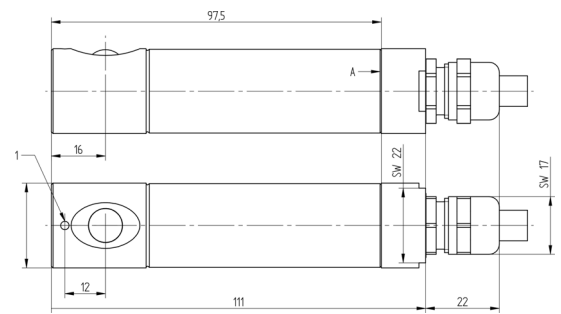


Fig. 4 Dimensional drawing flame sensor FFS08

## NOTICE

The Connecting cable at FFS08 is marked with yellow heat-shrinkable sleeve approx. 1.5 cm | 0.59" in.

## Dimensions

Housing type	Standard L - long	
Weight	0.40 kg   0.88 lb	standard version incl. 3 m   9.84 ft cable
	0,55 kg   1.21 lb	L-version incl. 3 m   9.84 ft cable
Material	EN CW614N (brass) nickel-plated, partial black powder-coated	

## Characteristics

Operation possible with	F152, ETAMATIC, MCC CMS, MCC BC400	
Compatible	FFS08 UV FFS08 IR	successor type of FFS06 UV - ... successor type of FFS06 IR - ...
Viewing angle	UV IR	approx. 8° approx. 60°
Sensitivity measuring output	UV IR	> 25 mVAC > 10 mVAC
Spectral range	UV-4 IR-1 IR-1 T IR1 T/S2	215 ... 360 nm (replaces UV-2) 1.200 ... 2.800 nm 1.200 ... 2.800 nm 1.200 ... 2.800 nm

# Technical Data Flame Sensor FFS08 / FFS08 L

## Input variable flame scanner

### Auxiliary power

Voltage	max. 42 VDC min. 24 VDC
Current consumption	≤ 20 mA
<b>Pulse</b>	
Current	High > 0,8 mA Low < 0,4 mA

## Output parameters

### Signal canal A + B

Frequency	max. 170 Hz min. 7 Hz
Signal delay	negligible

## Connection/extension cable

Type	6 x 0,5 mm <sup>2</sup>   6 x 20 AWG shielded, z.B. LiYCY minimum cross section 0,5 mm <sup>2</sup>   20 AWG
Cable length	< 300 m   984,25 ft

## Wear Parts

	none
--	------

## Technical Resilience

Operating mode	continuous operation 72 h operating according with TRD 604
Safety integrity level	DIN EN 61508 part 2 - SIL 3 in conjunction with F152
Overvoltage category	DIN EN 60730-1 ÜKIII
susceptibility to interference	DIN EN 60730-1
emitted interference	DIN EN 55022, class B

## Operating Condition

Relative humidity	0 % ... 95 % non-condensing
-------------------	-----------------------------

## Environmental Conditions

<b>Operation</b>	permissible temperature range	UV: -20 ... +65 °C   -4 ... +149 °F IR: -20 ... +60 °C   -4 ... +140 °F
<b>Transport</b>	permissible temperature range	UV: -20 ... +65 °C   -4 ... +149 °F IR: -20 ... +60 °C   -4 ... +140 °F
<b>Storage</b>	permissible temperature range	UV: -20 ... +65 °C   -4 ... +149 °F IR: -20 ... +60 °C   -4 ... +140 °F
<b>Degree of protection</b>	according to DIN EN 60529	IP67
<b>Protection class</b>		III

## NOTICE

The limits of the technical data must be strictly adhered to.

# Technical Data Flame Sensor FFS08 / FFS08 L

## Order Information

### NOTICE

All options marked with \* correspond to the standard selection.

Description / Type			Order no.
Flame sensor FFS08 radial light incidence aperture, IP66/IP67			659D31...
A 10 – SPECTRUM			Selection
TYPE UV-4	UV-SPECTRAL RANGE	215 ... 360 nm	04*
TYPE IR-1	IR-SPECTRAL RANGE	1.200 ... 2.800 nm	10
TYPE IR-1 T	IR-SPECTRAL RANGE	1.200 ... 2.800 nm	20
TYPE IR-1 T/S2	IR-SPECTRAL RANGE	1.200 ... 2.800 nm	40
A 20 – CABLE LENGTH			Selection
CONNECTING CABLE, length 3 m   9.84 ft			3*
CONNECTING CABLE, length 5 m   16.40 ft			5
CONNECTING CABLE, length 10 m   32.81 ft			10
CONNECTING CABLE, length 0.3 m   0.98 ft, only available with plug			OE
A 30 – PLUG			Selection
WITHOUT PLUG			0*
WITH PLUG			STE
A 40 – EXTENSION/HOUSING			Selection
STANDARD, immersion depth max. - 65 mm   2,56' in Suitable bracket FS60 and cooling air housing FS65			0*
LONG TYPE, immersion depth max. - 150 mm   5,91'' in Suitable bracket FS60 and cooling air housing FS65			L

The information in this publication is subject to technical changes.



**LAMTEC Meß- und Regeltechnik  
für Feuerungen GmbH & Co. KG**

Josef-Reiert-Straße 26

D-69190 Walldorf

Telefon: +49 (0) 6227 6052-0

Telefax: +49 (0) 6227 6052-57

[info@lamtec.de](mailto:info@lamtec.de)

[www.lamtec.de](http://www.lamtec.de)

