

Temperature Probes 8000 / 8100

Fe-CuNi, NiCr-Ni / Pt 100, Pt 500, Pt 1000



Technical Data Sheet

order index - thermocouple 8000																						
type	number of thermocouples		kind of element			measuring point		diameter			protecting tube			length of measuring element			thread			connecting head shape B	temperature max. in °C	
			Fe-CuNi type L	Fe-CuNi type J	NiCr-Ni type K	grounded	insulated	9 mm	11 mm	14 mm	material no.	installation length	340 mm	430 mm	580 mm	G 1/2	G 3/4	G 1				
8000	1	2	FK-L	FK-J	NC	e	i	9	11	14	D	1	2	3	M 1	M 2	M 3	82	83	84	BK	e.g. 400

example: 8000.1.FK-L.e.11.D.2.M2.82.BK.400 °C

Description:

The screwed temperature probes type 8000 / 8100 are used in containers, boilers, pipe conduits etc. These probes are available with one or two thermocouples / resistances.

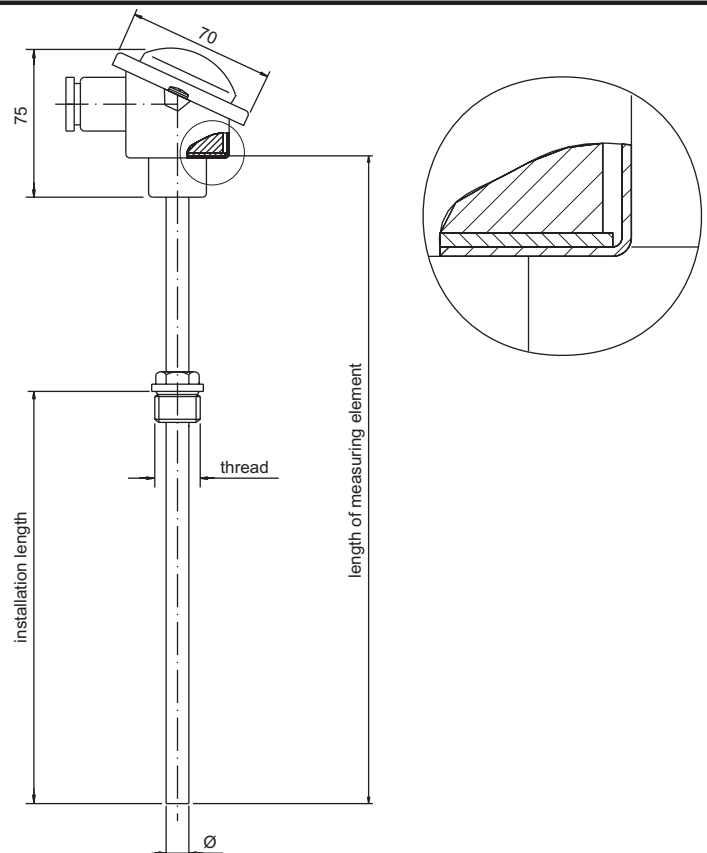
types available (8000):

Fe-CuNi type L DIN 43710 (not for new installations)
 Fe-CuNi type J DIN EN 60584
 NiCr-Ni type K DIN EN 60584

types available (8100):

Pt 100 Kl. B DIN EN 60751
 Pt 500 Kl. B DIN EN 60751
 Pt 1000 Kl. B DIN EN 60751
 (other tolerance classes on demand)

(subject to technical alterations)



order index – resistance thermometer 8100																					
type	number of resistances		indicate only for Pt 500 or Pt 1000	indicate only for 3- or 4-cable conduit		diameter			protecting tube			length of measuring element			thread			connecting head shape B	temperature max. in °C		
						9 mm	11 mm	14 mm	material no.	installation length	340 mm	430 mm	580 mm	G 1/2	G 3/4	G 1					
8100	1	2	e.g. Pt 500	3-L	4-L	9	11	14	D	1	2	3	M 1	M 2	M 3	82	83	84	BK	e.g. 400	

example: 8100.1.11.D.2.M2.82.BK.400 °C

Please state diverging measures in plain text.
 For different connecting possibilities see 'accessories'.

Please indicate operating temperature and cable length!